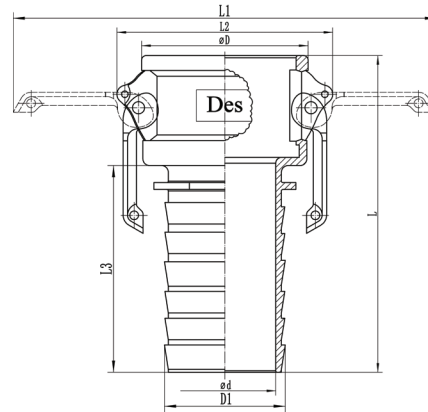




Type C More Steps

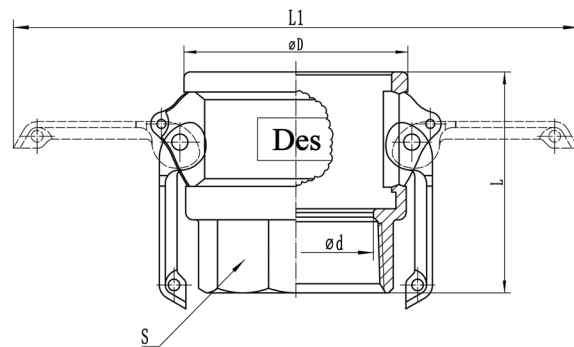


DIMENSIONS

Unit: Inch

Nom. Size	Item Number 316	Weight (lbs)	Outside Diameter D	Inside Diameter d	Hose Diameter D1	Body Length L	Handle Length L1	Body Edge L2	Hose Length L3
1/2"	KLS61C012	0.33	1.30	0.33	0.55	2.76	4.33	2.15	1.61
3/4"	KLS61C034	0.36	1.60	0.57	0.81	3.19	4.72	2.50	2.01
1"	KLS61C010	0.48	1.81	0.83	1.06	3.62	5.24	2.68	2.20
1-1/4"	KLS61C114	0.82	2.23	1.04	1.30	4.09	7.13	3.11	2.38
1-1/2"	KLS61C112	0.92	2.52	1.32	1.57	4.33	7.42	3.46	2.60
2"	KLS61C200	1.14	2.92	1.77	2.07	5.00	7.80	3.82	3.10
2-1/2"	KLS61C212	1.45	3.43	2.26	2.60	5.35	8.29	4.29	3.28
3"	KLS61C300	2.11	4.15	2.76	3.11	5.91	9.76	5.10	3.81
4"	KLS61C400	2.77	5.28	3.62	4.06	6.57	10.87	6.38	4.48
5"	KLS61C500	5.83	6.42	4.72	5.14	7.48	11.89	7.28	5.16
6"	KLS61C600	7.37	7.78	5.59	6.14	7.87	14.88	8.82	5.41

Type D



DIMENSIONS

Unit: Inch

Nom. Size	Item Number 316	Weight (lbs)	Outside Diameter D	Inside Diameter d	Body Length L	Handle Length L1	Wrench Flats S
1/2"	KLS61D012	0.34	1.30	0.47	1.69	4.33	1.00
3/4"	KLS61D034	0.41	1.60	0.67	1.77	4.73	1.22
1"	KLS61D010	0.51	1.81	0.98	2.11	5.24	1.46
1-1/4"	KLS61D114	0.88	2.23	1.26	2.50	7.13	1.81
1-1/2"	KLS61D112	0.96	2.52	1.52	2.56	7.42	2.05
2"	KLS61D200	1.18	2.92	1.97	2.85	7.80	2.52
2-1/2"	KLS61D212	1.62	3.43	2.44	3.23	8.29	3.15
3"	KLS61D300	2.19	4.15	2.91	3.31	9.76	3.74
4"	KLS61D400	3.04	5.28	4.02	3.46	10.87	4.72
5"	KLS61D500	5.43	6.42	4.84	3.98	11.89	5.94
6"	KLS61D600	7.11	7.78	5.89	4.33	14.88	6.97