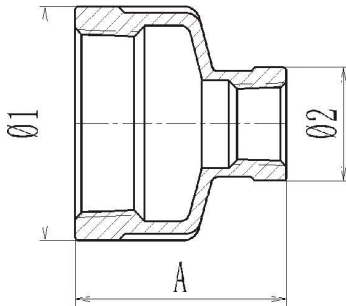


## ORC111N Series - Reducing Coupling



Size	Part No.		Dimension(in)			Weight LB
	304	316	A	ϕ 1	ϕ 2	
1/4*1/8	40RC111N014018	60RC111N014018	1.102 ± 0.020	0.787 ± 0.016	0.610 ± 0.012	0.06
3/8*1/8	40RC111N038018	60RC111N038018	1.614 ± 0.028	0.984 ± 0.020	0.610 ± 0.012	0.13
3/8*1/4	40RC111N038014	60RC111N038014	1.614 ± 0.028	0.984 ± 0.020	0.780 ± 0.016	0.15
1/2*1/8	40RC111N012018	60RC111N012018	1.732 ± 0.028	1.181 ± 0.020	0.610 ± 0.012	0.16
1/2*1/4	40RC111N012014	60RC111N012014	1.732 ± 0.028	1.181 ± 0.020	0.787 ± 0.016	0.18
1/2*3/8	40RC111N012038	60RC111N012038	1.748 ± 0.028	1.181 ± 0.020	1.004 ± 0.016	0.20
3/4*1/8	40RC111N034018	60RC111N034018	1.772 ± 0.028	1.417 ± 0.020	0.598 ± 0.012	0.19
3/4*1/4	40RC111N034014	60RC111N034014	1.772 ± 0.028	1.421 ± 0.020	0.783 ± 0.016	0.21
3/4*3/8	40RC111N034038	60RC111N034038	1.752 ± 0.028	1.417 ± 0.020	0.972 ± 0.016	0.23
3/4*1/2	40RC111N034012	60RC111N034012	1.756 ± 0.028	1.378 ± 0.020	1.161 ± 0.020	0.27
1*1/8	40RC111N010018	60RC111N010018	1.969 ± 0.031	1.772 ± 0.028	0.610 ± 0.012	0.35
1*1/4	40RC111N010014	60RC111N010014	1.949 ± 0.031	1.760 ± 0.028	0.780 ± 0.016	0.35
1*3/8	40RC111N010038	60RC111N010038	1.969 ± 0.031	1.772 ± 0.028	1.004 ± 0.020	0.37
1*1/2	40RC111N010012	60RC111N010012	1.969 ± 0.031	1.772 ± 0.028	1.181 ± 0.020	0.45
1*3/4	40RC111N010034	60RC111N010034	1.969 ± 0.031	1.756 ± 0.028	1.398 ± 0.020	0.42
1 1/4*1/8	40RC111N114018	60RC111N114018	1.988 ± 0.031	2.087 ± 0.031	0.610 ± 0.012	0.45
1 1/4*1/4	40RC111N114014	60RC111N114014	1.976 ± 0.031	2.067 ± 0.031	0.787 ± 0.016	0.49
1 1/4*3/8	40RC111N114038	60RC111N114038	1.953 ± 0.031	2.075 ± 0.031	0.984 ± 0.016	0.48
1 1/4*1/2	40RC111N114012	60RC111N114012	1.929 ± 0.031	2.059 ± 0.031	1.181 ± 0.016	0.52
1 1/4*3/4	40RC111N114034	60RC111N114034	1.929 ± 0.031	2.063 ± 0.031	1.398 ± 0.020	0.53
1 1/4*1	40RC111N114010	60RC111N114010	1.941 ± 0.031	2.067 ± 0.031	1.752 ± 0.020	0.62
1 1/2*1/4	40RC111N112014	60RC111N112014	2.256 ± 0.031	2.350 ± 0.031	0.787 ± 0.016	0.59
1 1/2*3/8	40RC111N112038	60RC111N112038	2.240 ± 0.031	2.350 ± 0.031	0.976 ± 0.016	0.70
1 1/2*1/2	40RC111N112012	60RC111N112012	2.244 ± 0.031	2.362 ± 0.031	1.181 ± 0.020	0.61
1 1/2*3/4	40RC111N112034	60RC111N112034	2.244 ± 0.031	2.362 ± 0.031	1.417 ± 0.020	0.66
1 1/2*1	40RC111N112010	60RC111N112010	2.244 ± 0.031	2.343 ± 0.031	1.740 ± 0.020	0.70
1 1/2*1 1/4	40RC111N112114	60RC111N112114	2.244 ± 0.031	2.362 ± 0.031	2.087 ± 0.020	0.74
2*1/4	40RC111N020014	60RC111N020014	2.638 ± 0.031	2.870 ± 0.031	0.787 ± 0.016	1.09
2*3/8	40RC111N020038	60RC111N020038	2.598 ± 0.031	2.894 ± 0.031	0.984 ± 0.016	0.96
2*1/2	40RC111N020012	60RC111N020012	2.598 ± 0.031	2.894 ± 0.031	1.181 ± 0.020	1.01
2*3/4	40RC111N020034	60RC111N020034	2.587 ± 0.031	2.850 ± 0.031	1.394 ± 0.020	1.03
2*1	40RC111N020010	60RC111N020010	2.598 ± 0.031	2.882 ± 0.031	1.732 ± 0.028	1.08
2*1 1/4	40RC111N020114	60RC111N020114	2.598 ± 0.031	2.874 ± 0.031	2.087 ± 0.028	1.12
2*1 1/2	40RC111N020112	60RC111N020112	2.579 ± 0.031	2.874 ± 0.031	2.362 ± 0.028	1.16
2 1/2*1/2	40RC111N212012	60RC111N212012	2.953 ± 0.031	3.524 ± 0.039	1.181 ± 0.020	1.38
2 1/2*3/4	40RC111N212034	60RC111N212034	2.972 ± 0.031	3.504 ± 0.039	1.437 ± 0.020	1.61
2 1/2*1	40RC111N212010	60RC111N212010	2.953 ± 0.031	3.504 ± 0.039	1.760 ± 0.028	1.65
2 1/2*1 1/4	40RC111N212114	60RC111N212114	2.953 ± 0.031	3.504 ± 0.039	2.071 ± 0.028	1.73
2 1/2*1 1/2	40RC111N212112	60RC111N212112	2.953 ± 0.031	3.524 ± 0.039	2.362 ± 0.028	1.92
2 1/2*2	40RC111N212020	60RC111N212020	2.902 ± 0.031	3.524 ± 0.039	2.874 ± 0.031	1.92
3*3/4	40RC111N030034	60RC111N030034	3.268 ± 0.039	4.291 ± 0.039	1.398 ± 0.020	2.64
3*1	40RC111N030010	60RC111N030010	3.295 ± 0.039	4.272 ± 0.039	1.772 ± 0.028	2.68
3*1 1/4	40RC111N030114	60RC111N030114	3.252 ± 0.039	4.272 ± 0.039	2.087 ± 0.028	2.79
3*1 1/2	40RC111N030112	60RC111N030112	3.248 ± 0.039	4.272 ± 0.039	2.346 ± 0.031	3.30
3*2	40RC111N030020	60RC111N030020	3.110 ± 0.039	4.272 ± 0.039	2.917 ± 0.039	2.83
3*2 1/2	40RC111N030212	60RC111N030212	3.673 ± 0.039	4.303 ± 0.039	3.531 ± 0.039	3.10
4*1	40RC111N040010	60RC111N040010	3.752 ± 0.039	5.413 ± 0.039	1.756 ± 0.028	4.82
4*1 1/4	40RC111N040114	60RC111N040114	3.760 ± 0.039	5.386 ± 0.039	2.087 ± 0.028	4.84
4*1 1/2	40RC111N040112	60RC111N040112	3.760 ± 0.039	5.413 ± 0.039	2.374 ± 0.028	4.85
4*2	40RC111N040020	60RC111N040020	4.390 ± 0.039	5.413 ± 0.039	2.894 ± 0.031	5.02
4*2 1/2	40RC111N040212	60RC111N040212	3.740 ± 0.039	5.413 ± 0.039	3.531 ± 0.039	5.12
4*3	40RC111N040030	60RC111N040030	3.811 ± 0.039	5.370 ± 0.039	4.280 ± 0.039	5.60

Dimensional tolerances are as per ISO 8062-3:2007 CT7 ( for Castings) and ISO 2768-1:1989/M (for Machining)